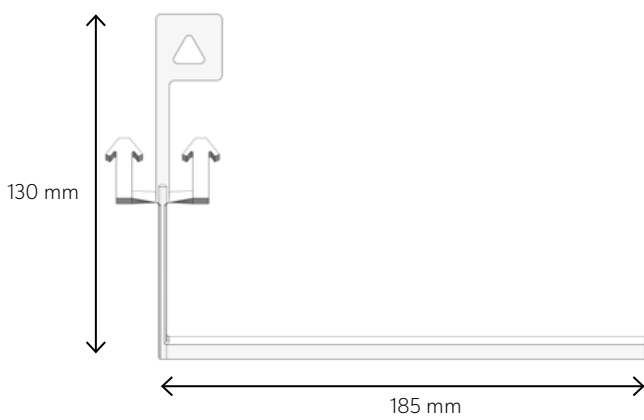
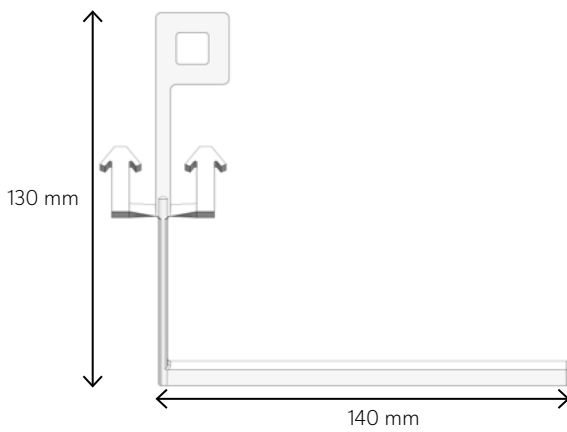
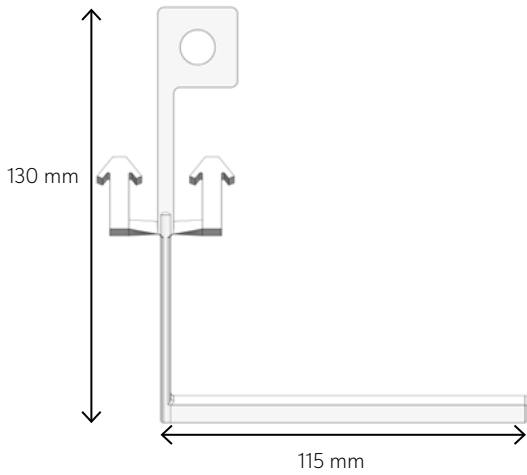


DISMANTLING KEYS

Utilisation : Allows removal of decking and open-joint cladding boards



TECHNICAL CHARACTERISTICS

Material	Stainless Steel	
Surface Treatment	White electro-galvanizing	
BOARD COMPATIBILITY	KEY LENGTH	KEY WEIGHT
Board width 120 mm or less	115 mm	48.0 g
Board width between 140 and 155 mm	140 mm	50.6 g
Board width between 155 and 190 mm	185 mm	57.3 g
REF.	DESCRIPTION	QUANTITY
968	Dismantling keys 120	1 pair
1784	Dismantling keys 155	1 pair
1785	Dismantling keys 190	1 pair

Symbols to distinguish the 3 key lengths :



115 mm



140 mm



185 mm